

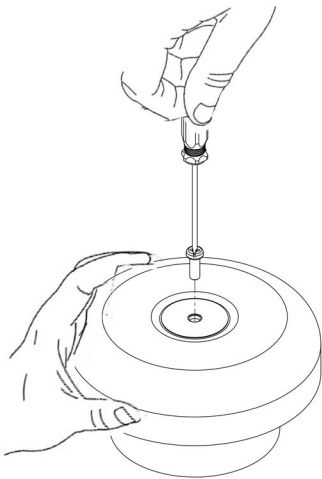
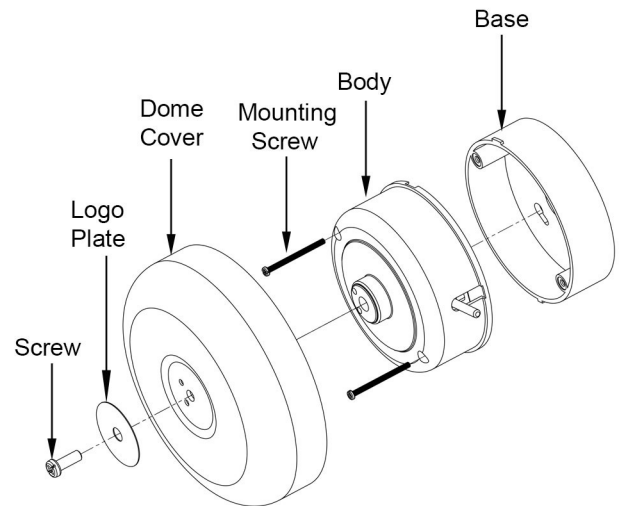
INSTALLATION INSTRUCTION MANUAL FOR DOME BELL MODEL D-102

Description

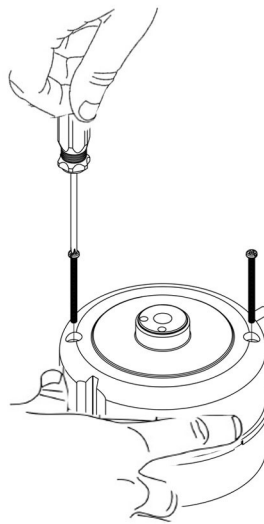
Demco dome alarm bells are professionally designed to meet the needs of fire fighting and detection system with central control equipment.

Specification:

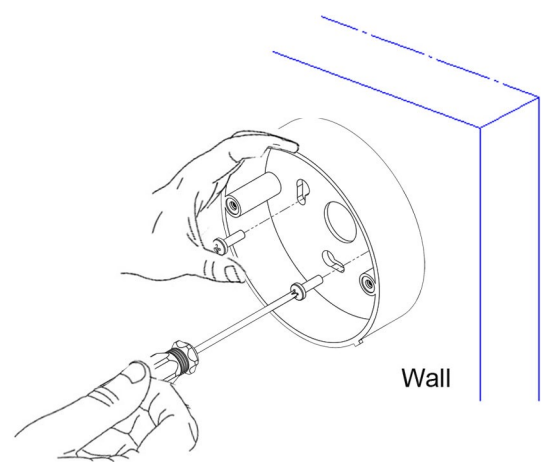
Sizes (Ø)	6" (150mm)
Colours Choices	Signal Red
Base Material	ABS
Operating Voltage	240VAC
Standby Current	Nil
Operating Current	33mA
Decible Rating (1 meter)	105dB
Fixing Method	Direct fixing using screws
Cable Routing	Rear entry



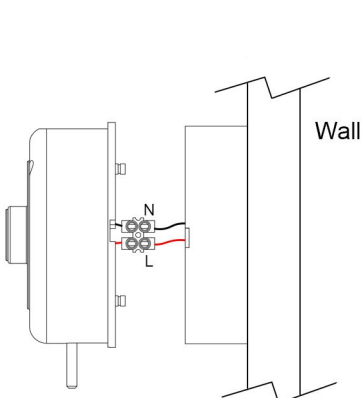
Step 1
Unscrew the dome cover from the body.



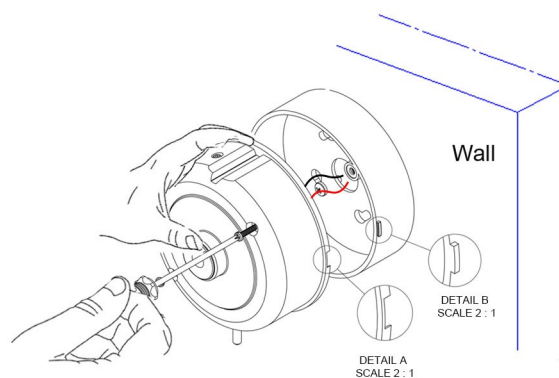
Step 2
Unscrew the body from the mounting base



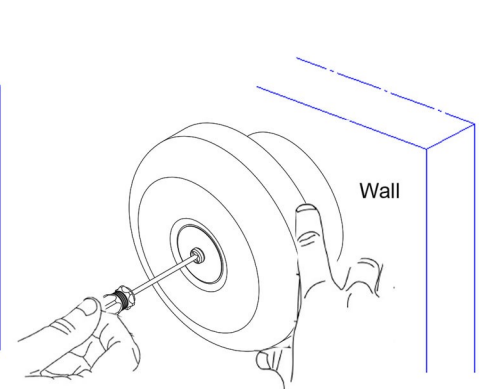
Step 3
Determine and install the base in the desire location and screw.



Step 4
Connect the cable.



Step 5
Place the body to the installed base and adjust the position to fit on the lib (Detail A & B) and screw to tighten.
The bell must be mounted with its striker pointing downward.



Step 6
Place the dome cover and adjust the position to fit on the lib and screw to the body.